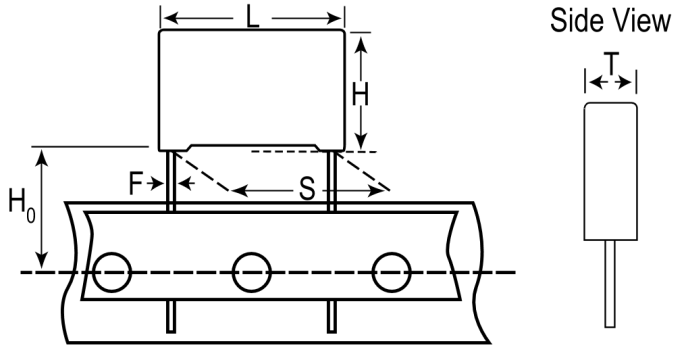


## R66CD4470DQ6AK

Aliases (66CD4470DQ6AK)

R66, Film, Metallized Polyester Stacked, Automotive Grade, 4.7 uF, 10%, 50 VDC, 85°C, 7.5mm



Click [here](#) for the 3D model.

### Dimensions

L	10.5mm +0.2mm
H	12mm +0.1mm
T	6mm +0.1mm
S	7.5mm +0.6/-0.1mm
H0	18.5mm +/-0.5mm
F	0.6mm +/-0.05mm

### Packaging Specifications

Packaging	Ammo, 360x340x59mm, Box
Packaging Quantity	1350

### General Information

Series	R66
Dielectric	Metallized Polyester Stacked
Style	Radial
Features	Automotive Grade, DC Multipurpose Applications
RoHS	Yes
Termination	Tinned Wire
Lead	Wire Leads
Qualifications	AEC-Q200
AEC-Q200	Yes
Typical Component Weight	1.341g
Miscellaneous	Above 85C DC And AC Voltage Derating Is 1.25%/C.

### Specifications

Capacitance	4.7 uF
Capacitance Tolerance	10%
Voltage DC	50 VDC
Voltage AC	30 VAC
Temperature Range	-55/+105°C
Rated Temperature	85°C
Dissipation Factor	1% 1kHz, 1.5% 10kHz
Insulation Resistance	266 MOhms
Max dV/dt	100 V/us
Inductance	8 nH