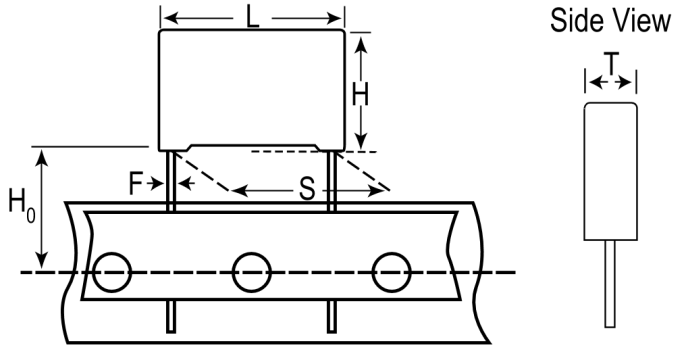


## R66ED3150DQ7AK

Aliases (66ED3150DQ7AK)

R66, Film, Metallized Polyester Stacked, Automotive Grade, 0.15 uF, 10%, 100 VDC, 85°C, 7.5mm



Click [here](#) for the 3D model.

### Dimensions

|    |                   |
|----|-------------------|
| L  | 10mm +0.2mm       |
| H  | 8mm +0.1mm        |
| T  | 3mm +0.1mm        |
| S  | 7.5mm +0.6/-0.1mm |
| H0 | 18.5mm +/-0.5mm   |
| F  | 0.5mm +/-0.05mm   |

### Packaging Specifications

|                    |                         |
|--------------------|-------------------------|
| Packaging          | Ammo, 360x340x59mm, Box |
| Packaging Quantity | 2800                    |

### General Information

|                          |  |
|--------------------------|--|
| Series                   | R66  |
| Dielectric               | Metallized Polyester Stacked                     |
| Style                    | Radial   |
| Features                 | Automotive Grade, DC Multipurpose Applications   |
| RoHS                     | Yes  |
| Termination              | Tinned Wire                                      |
| Lead                     | Wire Leads                                       |
| Qualifications           | AEC-Q200   |
| AEC-Q200                 | Yes  |
| Typical Component Weight | 0.411 g  |
| Miscellaneous            | Above 85C DC And AC Voltage Derating Is 1.25%/C. |

### Specifications

|                       |                     |
|-----------------------|---------------------|
| Capacitance           | 0.15 uF             |
| Capacitance Tolerance | 10%                 |
| Voltage DC            | 100 VDC             |
| Voltage AC            | 63 VAC              |
| Temperature Range     | -55/+105°C          |
| Rated Temperature     | 85°C                |
| Dissipation Factor    | 1% 1kHz, 1.5% 10kHz |
| Insulation Resistance | 3.75 GOhms          |
| Max dV/dt             | 150 V/us            |
| Inductance            | 8 nH                |