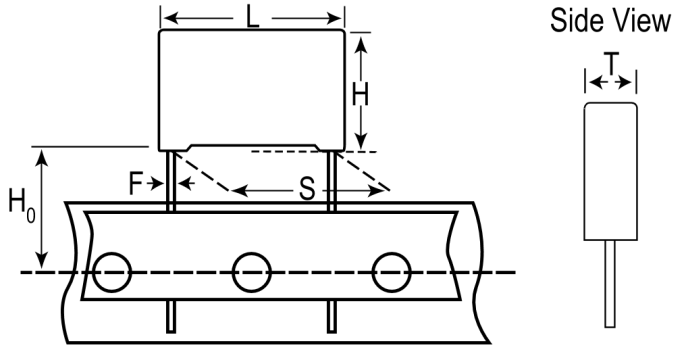


R66PD1100CK10J

Aliases (66PD1100CK10J)

R66, Film, Metallized Polyester, Automotive Grade, 1000 pF, 5%, 630 VDC, 85°C, 7.5mm



Click [here](#) for the 3D model.

Dimensions

L	10mm +0.2mm
H	8mm +0.1mm
T	3mm +0.1mm
S	7.5mm +0.6/-0.1mm
H ₀	18.5mm +/-0.5mm
F	0.5mm +/-0.05mm

Packaging Specifications

Packaging	T&R
Packaging Quantity	2100

General Information

Series	R66
Dielectric	Metallized Polyester
Style	Radial
Features	Automotive Grade, DC Multipurpose Applications
RoHS	Yes
Termination	Tinned Wire
Lead	Wire Leads
Qualifications	AEC-Q200
AEC-Q200	Yes
Typical Component Weight	0.352 g
Miscellaneous	Note: This Capacitor Uses Wound Technology Rather Than Stacked, Above 85C DC And AC Voltage Derating Is 1.25%/C.

Specifications

Capacitance	1000 pF
Capacitance Tolerance	5%
Voltage DC	630 VDC
Voltage AC	220 VAC
Temperature Range	-55/+105°C
Rated Temperature	85°C
Dissipation Factor	1% 1kHz, 1.5% 10kHz
Insulation Resistance	30 GOhms
Max dV/dt	40 V/us
Inductance	8 nH