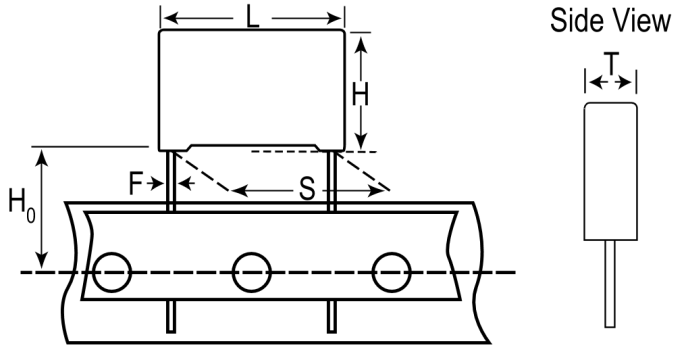


R66PD2220DQ7AJ

Aliases (66PD2220DQ7AJ)

R66, Film, Metallized Polyester Stacked, Automotive Grade, 0.022 uF, 5%, 630 VDC, 85°C, 7.5mm



Click [here](#) for the 3D model.

Dimensions

L	10mm +0.2mm
H	10.5mm +0.1mm
T	5mm +0.1mm
S	7.5mm +0.6/-0.1mm
H0	18.5mm +/-0.5mm
F	0.6mm +/-0.05mm

Packaging Specifications

Packaging	Ammo, 360x340x59mm, Box
Packaging Quantity	1600

General Information

Series	R66
Dielectric	Metallized Polyester Stacked
Style	Radial
Features	Automotive Grade, DC Multipurpose Applications
RoHS	Yes
Termination	Tinned Wire
Lead	Wire Leads
Qualifications	AEC-Q200
AEC-Q200	Yes
Typical Component Weight	0.981 g
Miscellaneous	Above 85C DC And AC Voltage Derating Is 1.25%/C.

Specifications

Capacitance	0.022 uF
Capacitance Tolerance	5%
Voltage DC	630 VDC
Voltage AC	220 VAC
Temperature Range	-55/+105°C
Rated Temperature	85°C
Dissipation Factor	1% 1kHz, 1.5% 10kHz
Insulation Resistance	30 GOhms
Max dV/dt	300 V/us
Inductance	8 nH