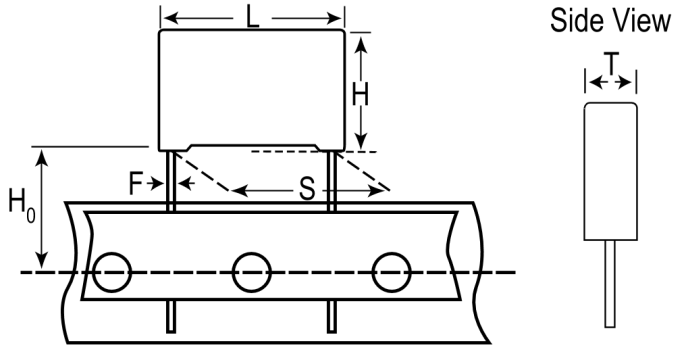


## R73TI1560DQ00K

Aliases (73TI1560DQ00K)

R73, Film, Film/Foil Polypropylene, Automotive Grade, 5600 pF, 10%, 1600 VDC, 85°C, 15mm



Click [here](#) for the 3D model.

### Dimensions

L	18mm +/-0.5mm
H	16mm +0.1/-0.5mm
T	10mm +0.2/-0.5mm
S	15mm +0.6/-0.1mm
H0	18.5mm +/-0.5mm
F	0.8mm +/-0.05mm

### Packaging Specifications

Packaging	Ammo, 360x340x59mm, Box
Packaging Quantity	380

### General Information

Series	R73
Dielectric	Film/Foil Polypropylene
Style	Radial
Features	Automotive Grade, Pulse
RoHS	Yes
Termination	Tinned Wire
Lead	Wire Leads
Qualifications	AEC-Q200
AEC-Q200	Yes
Miscellaneous	Above 85C DC And AC Voltage Derating Is 1.25%/C.

### Specifications

Capacitance	5600 pF
Capacitance Tolerance	10%
Voltage DC	1600 VDC
Voltage AC	450 VAC
Temperature Range	-55/+105°C
Rated Temperature	85°C
Dissipation Factor	0.03% 1kHz, 0.04% 10kHz, 0.1% 100kHz
Insulation Resistance	100 GOhms
Max dV/dt	34000 V/us
Inductance	10 nH