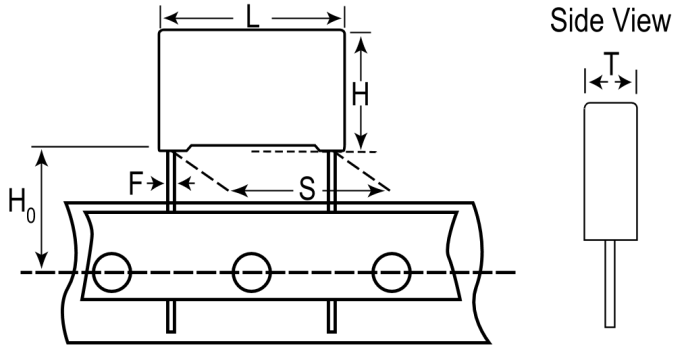


## R73UI0330DQ00J

Aliases (73UI0330DQ00J)

R73, Film, Film/Foil Polypropylene, Automotive Grade, 330 pF, 5%, 2000 VDC, 85°C, 15mm



Click [here](#) for the 3D model.

### Dimensions

L	18mm +0.3/-0.5mm
H	11mm +0.1/-0.5mm
T	5mm +0.2/-0.5mm
S	15mm +0.6/-0.1mm
H <sub>0</sub>	18.5mm +/-0.5mm
F	0.8mm +/-0.05mm

### Packaging Specifications

Packaging	Ammo, 360x340x59mm, Box
Packaging Quantity	800

### General Information

Series	R73
Dielectric	Film/Foil Polypropylene
Style	Radial
Features	Automotive Grade, Pulse
RoHS	Yes
Termination	Tinned Wire
Lead	Wire Leads
Qualifications	AEC-Q200
AEC-Q200	Yes
Miscellaneous	Above 85C DC And AC Voltage Derating Is 1.25%/C.

### Specifications

Capacitance	330 pF
Capacitance Tolerance	5%
Voltage DC	2000 VDC
Voltage AC	500 VAC
Temperature Range	-55/+105°C
Rated Temperature	85°C
Dissipation Factor	0.03% 1kHz, 0.04% 10kHz, 0.1% 100kHz
Insulation Resistance	100 GOhms
Max dV/dt	54000 V/us
Inductance	10 nH