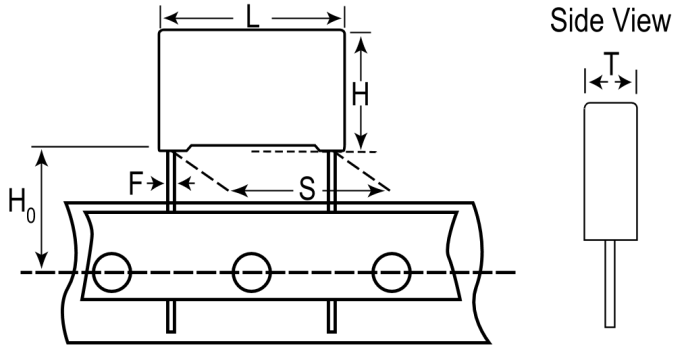


## R76QR3150CK30J

Aliases (76QR3150CK30J)

R76, Film, Double Metallized Polypropylene, General Purpose, 0.15 uF, 5%, 1000 VDC, 85°C, 27.5mm



Click [here](#) for the 3D model.

### Dimensions

L	32mm +0.3/-0.7mm
H	20mm +0.1/-0.7mm
T	11mm +0.2/-0.7mm
S	27.5mm +/-0.4mm
H0	18.5mm +/-0.5mm
F	0.8mm +/-0.05mm

### Packaging Specifications

Packaging	T&R, Large
Packaging Quantity	350

### General Information

Series	R76
Dielectric	Double Metallized Polypropylene
Style	Radial
Features	Pulse
RoHS	Yes
Termination	Tinned Wire
Lead	Wire Leads
AEC-Q200	No
Typical Component Weight	7.7 g

### Specifications

Capacitance	0.15 uF
Capacitance Tolerance	5%
Voltage DC	1000 VDC
Voltage AC	600 VAC
Temperature Range	-55/+110°C
Rated Temperature	85°C
Dissipation Factor	0.03% 1kHz, 0.06% 10kHz
Insulation Resistance	100 GOhms
Max dV/dt	1000 V/us
ESR	15.92 mOhms (100kHz)
Ripple Current	6.3 Amps (100kHz 85C), 150 Amps (Peak)
Inductance	18 nH