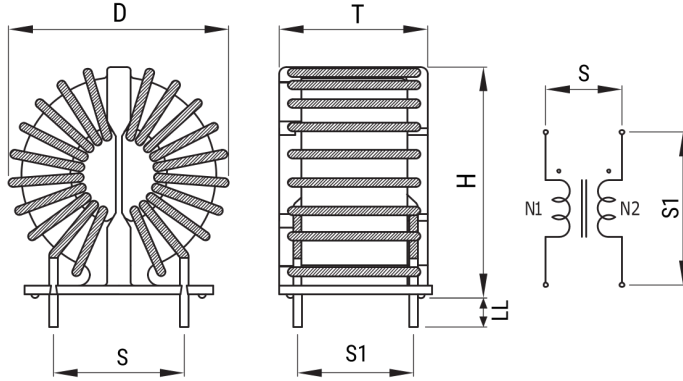


SC-18-E15J

Aliases (UALSC18E15J000)

KEMET, SC-J, AC Line Filters, Common Mode, 1.5 mH



Click [here](#) for the 3D model.

Dimensions	
D	44mm MAX
T	30mm MAX
H	44mm MAX
LL	5mm +/-2mm
S	18mm NOM
S1	12mm NOM
Wire Size	1.7mm

Packaging Specifications	
Packaging	Tray
Packaging Quantity	60
Typical Component Weight	80 g

General Information	
Series	SC-J
Style	Through-Hole
RoHS	Yes
Notes	Lead Spacing (S/S1) Are For Reference Only.
Miscellaneous	Temperature Rise Maximum: 60 K.
Core	Mn-Zn Ferrite

Specifications	
Voltage AC	250 VAC
Inductance	1.5 mH (10 kHz)
Current	18 A
Temperature Range	-40/+120°C
DC Resistance	8 mOhms

Statements of suitability for certain applications are based on our knowledge of typical operating conditions for such applications, but are not intended to constitute - and we specifically disclaim - any warranty concerning suitability for a specific customer application or use. This information is intended for use only by customers who have the requisite experience and capability to determine the correct products for their application. Any technical advice inferred from this information or otherwise provided by us with reference to the use of our products is given gratis, and we assume no obligation or liability for the advice given or results obtained.