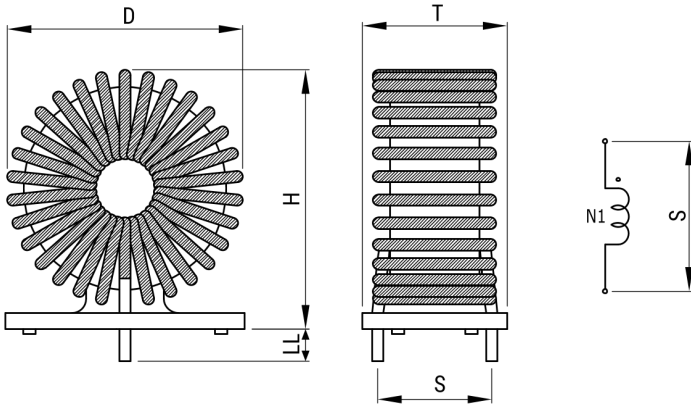


## SN10-400J

Aliases (UALSN10400J000)

KEMET, SN-J, AC Line Filters, Normal Mode, 0.072 mH



### General Information

Series	SN-J
Style	Through-Hole
RoHS	Yes
Miscellaneous	27 (K) Temperature Rise Max.
Core	Fe

### Specifications

Inductance	72 uH (0.1MHz)
Current	3 A
Temperature Range	-40/+105°C
DC Resistance	0.056 Ohms

Click [here](#) for the 3D model.

### Dimensions

D	23mm MAX
W	22mm NOM
T	16mm MAX
H	26mm MAX
LL	7mm +/-2mm
S	10mm NOM
Wire Size	0.8mm

### Packaging Specifications

Packaging	Tray
Packaging Quantity	600
Typical Component Weight	12.9 g

Statements of suitability for certain applications are based on our knowledge of typical operating conditions for such applications, but are not intended to constitute - and we specifically disclaim - any warranty concerning suitability for a specific customer application or use. This information is intended for use only by customers who have the requisite experience and capability to determine the correct products for their application. Any technical advice inferred from this information or otherwise provided by us with reference to the use of our products is given gratis, and we assume no obligation or liability for the advice given or results obtained.