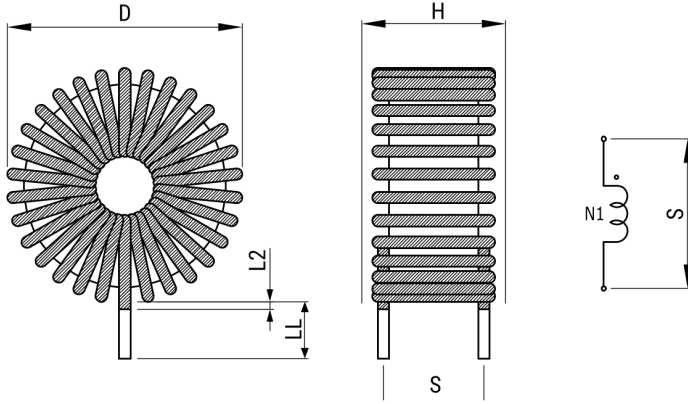


## SN16-300

Aliases (UALSN163000000)

KEMET, SN, AC Line Filters, Normal Mode, 0.06 mH, MIN



Click [here](#) for the 3D model.

### Dimensions

D	34mm MAX
H	19mm MAX
LL	20mm +/-2mm
S	15mm
L2	1.5mm MAX
Wire Size	1.5mm

### Packaging Specifications

Packaging	Tray
Packaging Quantity	250
Typical Component Weight	39 g

### General Information

Series	SN
Style	Through-Hole
Features	Compact Size
RoHS	Yes
Miscellaneous	21 (K) Temperature Rise Max.
Core	Fe

### Specifications

Inductance	60 uH (0.1 MHz)
Inductance Tolerance	MIN
Current	8 A
Temperature Range	-40/+105°C
DC Resistance	21 mOhms