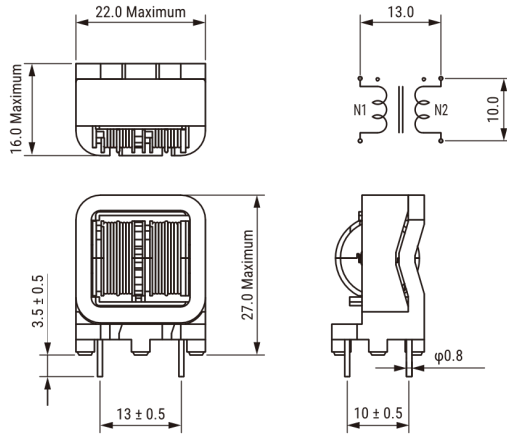


SSR21NVS-031590

Aliases (UALN21VS031590)

KEMET, SSR21NVS/NHS, AC Line Filters, Common Mode, 159 mH



Click [here](#) for the 3D model.

Dimensions

L	22mm MAX
T	16mm MAX
H	27mm MAX
LL	3.5mm +/-0.5mm
S	13mm +/-0.5mm
S1	10mm +/-0.5mm
Wire Size	0.2mm

Packaging Specifications

Packaging	Tray
Packaging Quantity	450
Typical Component Weight	14.5 g

General Information

Series	SSR21NVS/NHS
Style	Through-Hole
Features	High Performance, High Frequency, Broad Bandwidth
RoHS	Yes
Miscellaneous	45 (K) Temperature Rise Max.
Core	Mn-Zn Ferrite

Specifications

Voltage AC	250 VAC
Inductance	159 mH (10 kHz)
Current	300 mA
Temperature Range	-40/+120°C
DC Resistance	2.85 Ohms