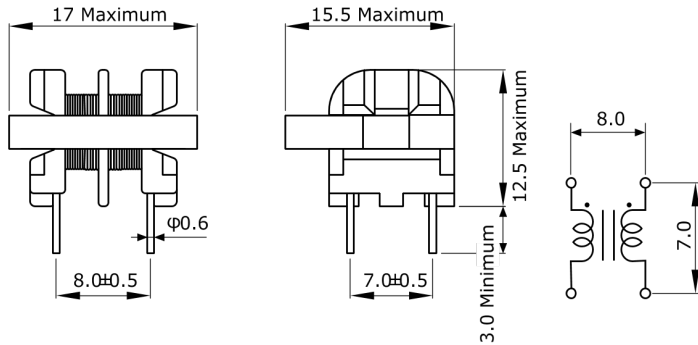


## SU9HD-40006

Aliases (UALSU9HD400060)

KEMET, SU-9HD, AC Line Filters, Common Mode, 0.00595 mH



### General Information

|               |                                 |
|---------------|---------------------------------|
| Series        | SU-9HD                          |
| Style         | Through-Hole                    |
| RoHS          | Yes                             |
| Miscellaneous | Temperature Rise Maximum: 62 K. |

### Specifications

|                   |             |
|-------------------|-------------|
| Voltage AC        | 250 VAC     |
| Inductance        | 5.95 uH     |
| Current           | 4 A         |
| Temperature Range | -25/+120°C  |
| DC Resistance     | 0.0275 Ohms |

Click [here](#) for the 3D model.

### Dimensions

|           |              |
|-----------|--------------|
| L         | 17mm MAX     |
| T         | 15.5mm MAX   |
| H         | 12.5mm MAX   |
| LL        | 3mm MAX      |
| S         | 8mm +/-0.5mm |
| S1        | 7mm +/-0.5mm |
| Wire Size | 0.4mm        |

### Packaging Specifications

|                          |       |
|--------------------------|-------|
| Packaging                | Tray  |
| Typical Component Weight | 2.9 g |

Statements of suitability for certain applications are based on our knowledge of typical operating conditions for such applications, but are not intended to constitute - and we specifically disclaim - any warranty concerning suitability for a specific customer application or use. This information is intended for use only by customers who have the requisite experience and capability to determine the correct products for their application. Any technical advice inferred from this information or otherwise provided by us with reference to the use of our products is given gratis, and we assume no obligation or liability for the advice given or results obtained.