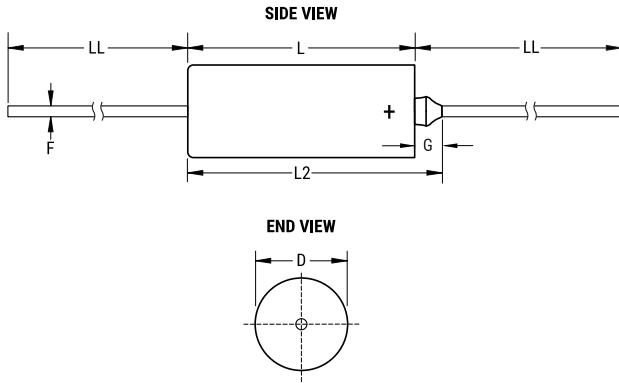


General Information



Click [here](#) for the 3D model.

Dimensions

Specifications

Packaging Specifications