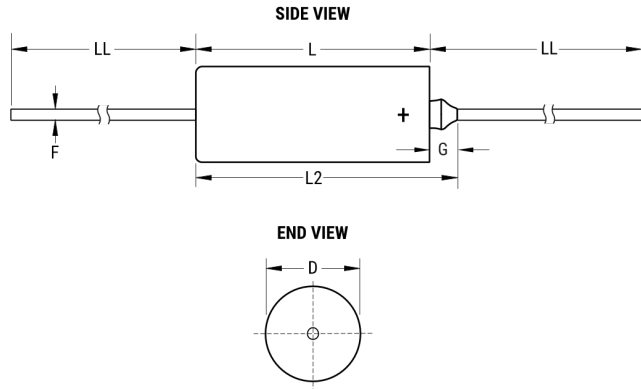


M39003/01-4005E

Aliases (T215A685M006GS4251, CSR13B685MGE)

T215 CSR13, Tantalum, MnO2 Tantalum, Military/High Reliability, 6.8 uF, 20%, 6 VDC, 8 Ohms



Click [here](#) for the 3D model.

Dimensions

D	3.43mm +/-0.25mm
L	7.26mm +/-0.79mm
L2	10.72mm MAX
LL	38.1mm +/-6.35mm
F	0.51mm +/-0.05mm
G	3.46mm +0.79mm

Packaging Specifications

Packaging	Bulk, Box
Packaging Quantity	150

General Information

Series	T215 CSR13
Dielectric	MnO2 Tantalum
Style	Axial Hermetic
Description	Axial, Solid Tantalum, Hermetically Sealed, High Temp Solder, Military, CSR13 Style
Features	High Temperature Solder, Low Leakage
RoHS	No
Prop 65	⚠ WARNING: Cancer and reproductive harm - http://www.p65warnings.ca.gov .
Termination	Lead (SnPb)
Lead	Wire Leads
Qualifications	CSR13 Style
AEC-Q200	No
Construction	Hermetic
Miscellaneous	Note: Part Number Specifies Special Surge Testing Level E; See MIL-PRF-39003 Or KEMET For Further Information.
Notes	Dimensions Include Insulating Sleeve. Lead Length Shown Is For Parts Supplied With Bulk Packaging, When Supplied On T&R Or Ammo, Lead Length Is Determined By Taping Specification.

Specifications

Capacitance	6.8 uF
Capacitance Tolerance	20%
Voltage DC	6 VDC (85C), 4 VDC (125C), 8 VDC (85C Surge), 0.3 VDC (85C Reverse)
Temperature Range	-55/+125°C
Rated Temperature	85°C
Dissipation Factor	6%
Failure Rate	G (1%/1000 Hrs)
ESR	8 Ohms (100kHz)
Ripple Current	106 mAmps (100kHz)
Leakage Current	0.3 uA
Testing and Reliability	Option E, Surge Testing At -55C And +85C After Weibull

Statements of suitability for certain applications are based on our knowledge of typical operating conditions for such applications, but are not intended to constitute - and we specifically disclaim - any warranty concerning suitability for a specific customer application or use. This information is intended for use only by customers who have the requisite experience and capability to determine the correct products for their application. Any technical advice inferred from this information or otherwise provided by us with reference to the use of our products is given gratis, and we assume no obligation or liability for the advice given or results obtained.