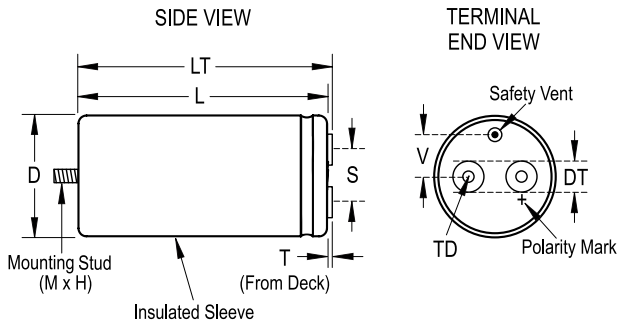


# ALS41C152MF450

ALS41, Aluminum, Aluminum Electrolytic, 1,500 uF, 20%, 450 VDC, -40/+105°C, 28.5 mm



Click [here](#) for the 3D model.

## General Information

Series	ALS41
Dielectric	Aluminum Electrolytic
Description	Screw Terminal, Aluminum Electrolytic
RoHS	Yes
Lead	Screw Terminals M6
Mounting	Through-Hole
Optional Mounting	Stud
AEC-Q200	No
Halogen Free	No
Typical Component Weight	505 g
Notes	Dimensions D And L Include Slewing. MS (MxH) = M12x16.
Shelf Life	156 Weeks

## Dimensions

D	66mm +/-1mm
L	105mm +/-2mm
T	5.5mm +/-0.5mm
S	28.5mm +/-0.5mm
DT	13mm +/-0.5mm
LT	Available On Request
TD	10mm MIN
V	15.8mm NOM

## Packaging Specifications

Slewing	Yes
Packaging	Bulk, Box

## Specifications

Capacitance	1,500 uF
Tolerance	20%
Voltage DC	450 VDC, 495 VDC (Surge)
Temperature Range	-40/+105°C
Rated Temperature	105°C
Life	8000 Hrs (Rated Voltage And Ripple Current At 105C), 13000 Hrs (Rated Voltage at 105C)
ESR	79 mOhms (100Hz 20C), 42 mOhms (10kHz 20C)
Ripple Current	8.9 Amps (100Hz 105C), 17.1 Amps (10kHz 105C)
Leakage Current	2025 uA (5min 20°C)

Statements of suitability for certain applications are based on our knowledge of typical operating conditions for such applications, but are not intended to constitute - and we specifically disclaim - any warranty concerning suitability for a specific customer application or use. This Information is intended for use only by customers who have the requisite experience and capability to determine the correct products for their application. Any technical advice inferred from this Information or otherwise provided by us with reference to the use of our products is given gratis, and we assume no obligation or liability for the advice given or results obtained.