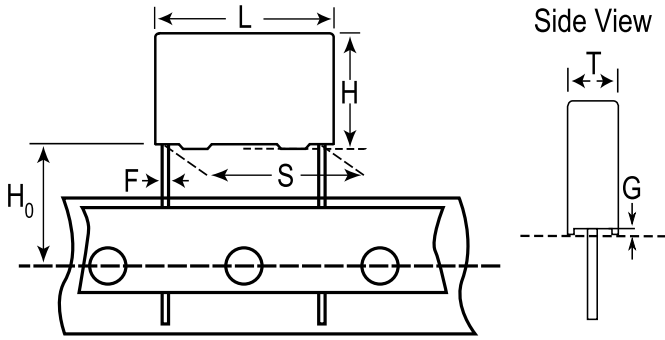


F462DU224J1L2R

Not for New Design

F462, Film, Metallized Polypropylene, General Purpose, 0.22 uF, 5%, 1,250 VDC, 85°C, 22.5 mm



Click [here](#) for the 3D model.

General Information

Series	F462
Dielectric	Metallized Polypropylene
Style	Radial
Features	MKP, Pulse
RoHS	Yes
Termination	Tinned Wire
Lead	Wire Leads
AEC-Q200	No
Typical Component Weight	9.234 g
Miscellaneous	The Rated Voltage Decreases 2%/C Between +85C And +105C (1.25%/C For AC). ClimCat: 55/105/56.
Notes	Series Replaced by R75.

Dimensions

L	26mm -0.5mm
H	22mm -0.5mm
T	13mm -0.5mm
S	22.5mm +0.6/-0.1mm
HO	18.5mm +/-0.5mm
F	0.8mm +/-0.05mm
G	0.5mm NOM

Specifications

Capacitance	0.22 uF
Tolerance	5%
Voltage DC	1250 VDC, 750 VDC (105C)
Voltage AC	400 VAC
Temperature Range	-55/+105°C
Rated Temperature	85°C
Dissipation Factor	0.05% 1kHz, 0.06% 10kHz
Insulation Resistance	100 GOhms
Max dV/dt	800 V/us
Inductance	6 nH

Packaging Specifications

Packaging	Ammo, 360x340x59mm, Box
Packaging Quantity	200

Statements of suitability for certain applications are based on our knowledge of typical operating conditions for such applications, but are not intended to constitute - and we specifically disclaim - any warranty concerning suitability for a specific customer application or use. This Information is intended for use only by customers who have the requisite experience and capability to determine the correct products for their application. Any technical advice inferred from this Information or otherwise provided by us with reference to the use of our products is given gratis, and we assume no obligation or liability for the advice given or results obtained.