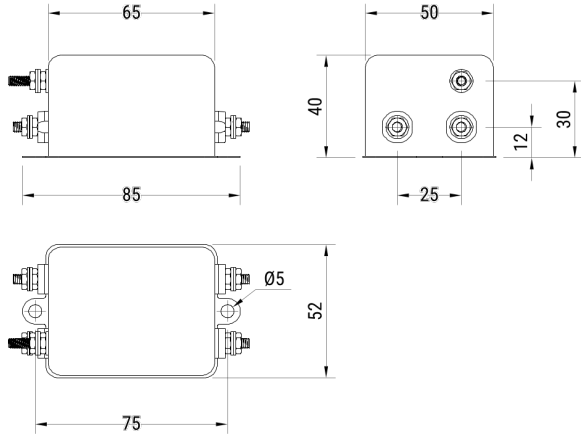


## FLLE2020AQMD

Aliases (LLE2020AQMD)

KEMET, FLLE2-Q, EMI/RFI Filters, Noise Suppression, 300 VAC, 300 V, 20 A, 65x50x40mm



Click [here](#) for the 3D model.

### Dimensions

L	65mm MIN
W	50mm MIN
H	40mm MIN

### Packaging Specifications

Packaging	Bulk
Packaging Quantity	1
Typical Component Weight	290 g

### General Information

Series	FLLE2-Q
Style	Chassis Mount
Description	Single Phase, Chassis Mount Filters
Features	Single Phase, Medical
Phase	Single-phase
RoHS	Yes
Qualifications	IEC/EN 60939, UL, CSA
Terminal Type	Wire

### Specifications

Voltage AC	300 VAC
Voltage DC	300 VDC
Rated Frequency	50-60 Hz
Rated Current	20 A
Rated Temperature	40°C
Temperature Range	-25/+100°C
Climate Category	25/100/21
Leakage Current	0.37 mA (MAX)
Test Voltage DC (P/N to E)	2250 VDC
Test Voltage DC (P to N)	1300 VDC

Statements of suitability for certain applications are based on our knowledge of typical operating conditions for such applications, but are not intended to constitute - and we specifically disclaim - any warranty concerning suitability for a specific customer application or use. This Information is intended for use only by customers who have the requisite experience and capability to determine the correct products for their application. Any technical advice inferred from this Information or otherwise provided by us with reference to the use of our products is given gratis, and we assume no obligation or liability for the advice given or results obtained.