

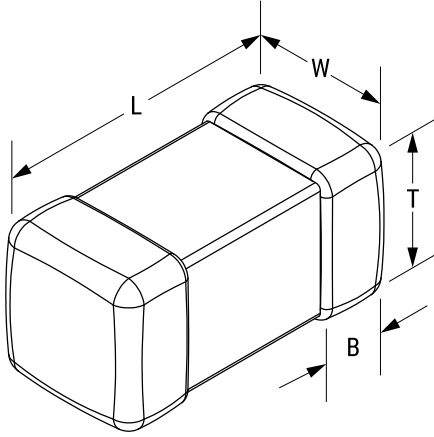
L1210R2R2MDWIT

Aliases (L1210R2R2MDWIT)

Obsolete

Scheduled EOL - Last date to buy 30 JUN 2023

KEMET, L-DWI, Ferrite, 20%, 2,200 nH



Click [here](#) for the 3D model.

General Information

Series	L-DWI
Style	SMD Wire-Wound
Core	Ferrite
Description	Surface Mount Inductor
Features	High Current Type
RoHS	Yes
Notes	Last Order Date June 30, 2023. Suggested Replacement - https://productfinder.pulseelectronics.com/part/BWNC003729262R2K00 .

Specifications

Inductance	2.2 uH (0.1 MHz)
Inductance Tolerance	20%
Rated Current	1130 mAmps (Irms, 40C Rise By Self Heating)
Saturation Current	2000 mAmps (Isat, 30% Drop In Inductance)
Temperature Range	-40/+105°C
DC Resistance	80 mOhms
DC Resistance	0.08 Ohms
Self-Resonant Frequency	190 MHz

Dimensions

L	3.2mm +/-0.2mm
W	2.5mm +/-0.2mm
T	2.5mm +/-0.2mm

Packaging Specifications

Packaging	T&R
Packaging Quantity	1000

Statements of suitability for certain applications are based on our knowledge of typical operating conditions for such applications, but are not intended to constitute - and we specifically disclaim - any warranty concerning suitability for a specific customer application or use. This Information is intended for use only by customers who have the requisite experience and capability to determine the correct products for their application. Any technical advice inferred from this Information or otherwise provided by us with reference to the use of our products is given gratis, and we assume no obligation or liability for the advice given or results obtained.