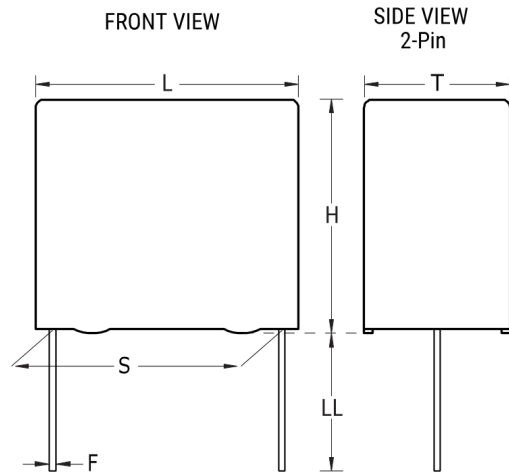


PHE820MF7100MR06L2

Aliases (F720FR105M275C)

Obsolete

PHE820M/F720, Film, Metallized Polyester, Safety, 1 uF, 20%, 760 VDC, 275 VAC (X2), 100°C, 27.5mm



Click [here](#) for the 3D model.

Dimensions

L	31.5mm MAX
H	28mm MAX
T	17.5mm MAX
S	27.5mm +/-0.4mm
LL	6mm -1mm
F	0.8mm NOM
G	0.5mm NOM

Packaging Specifications

Packaging	Bulk, Bag
Packaging Quantity	126

General Information

Series	PHE820M/F720
Dielectric	Metallized Polyester
Style	Radial
Features	EMI Safety
RoHS	Yes
Lead	Wire Leads
Safety Class	X2
Qualifications	ENEC, UL, cUL
AEC-Q200	No
Typical Component Weight	15.3 g
Miscellaneous	SRF= 1.3 MHz.
Notes	Not for new design – the replacement series is: R46 X2 310VAC.

Specifications

Capacitance	1 uF
Capacitance Tolerance	20%
Voltage DC	760 VDC
Voltage AC	275 VAC (X2)
Temperature Range	-40/+100°C
Rated Temperature	100°C
Dissipation Factor	1% 1kHz
Insulation Resistance	10 GOhms
Max dV/dt	100 V/us