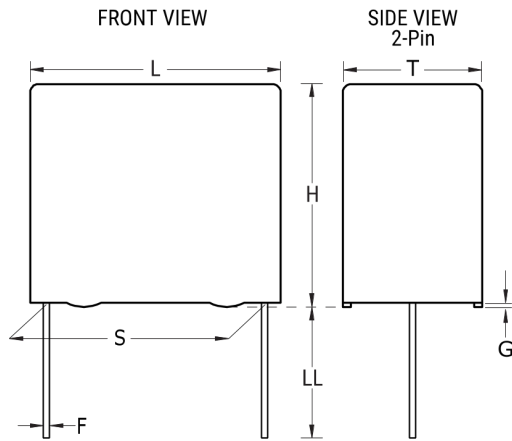


PME295RB4470MR30

Aliases (P295BQ472M440A)

PME295/P295, Film, Metallized Paper, Safety, 4700 pF, 20%, 1500 VDC, 440 VAC (Y1) (ENEC), 480 VAC (UL, cUL), 115°C, 15mm



Click [here](#) for the 3D model.

Dimensions

L	18mm MAX
H	16mm MAX
T	8.5mm MAX
S	15mm +/-0.4mm
LL	30mm +5mm
F	0.8mm +/-0.05mm
G	0.5mm NOM

Packaging Specifications

Packaging	Bulk, Bag
Packaging Quantity	250

General Information

Series	PME295/P295
Dielectric	Metallized Paper
Style	Radial
Features	EMI Safety
RoHS	Yes
Lead	Wire Leads
Safety Class	Y1
Qualifications	ENEC, UL, cUL, CQC
AEC-Q200	No
Typical Component Weight	3.5 g
Miscellaneous	SRF= 22 MHz.

Specifications

Capacitance	4700 pF
Capacitance Tolerance	20%
Voltage DC	1500 VDC
Voltage AC	440 VAC (Y1) (ENEC), 480 VAC (UL, cUL)
Temperature Range	-40/+115°C
Rated Temperature	115°C
Dissipation Factor	1.3% 1kHz
Insulation Resistance	12 GOhms
Max dV/dt	2000 V/us