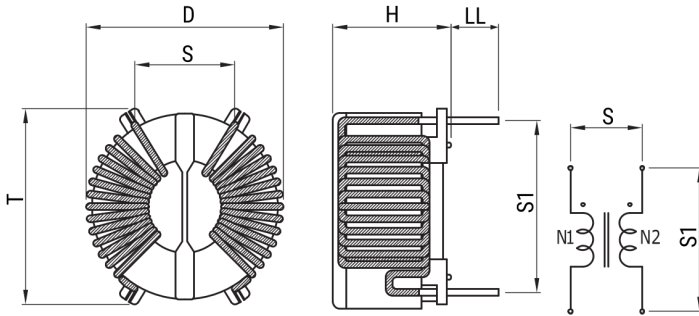


SC-04-E60JKH

Aliases (UALSCO4E60JKH0)

KEMET, SC_JKH, AC Line Filters, Common Mode, 6 mH



Click [here](#) for the 3D model.

Dimensions

D	34mm MAX
T	34mm MAX
H	17mm MAX
LL	3.5mm +/-1mm
S	11mm NOM
S1	28mm NOM
Wire Size	0.8mm

Packaging Specifications

Packaging	Tray
Packaging Quantity	200
Typical Component Weight	27.2 g

General Information

Series	SC_JKH
Style	Through-Hole
RoHS	Yes
Notes	Lead Spacing (S/S1) Are For Reference Only.
Miscellaneous	Temperature Rise Maximum: 50 K.
Core	Mn-Zn Ferrite

Specifications

Voltage AC	250 VAC
Inductance	6 mH
Current	4 A
Temperature Range	-25/+120°C
DC Resistance	75 mOhms