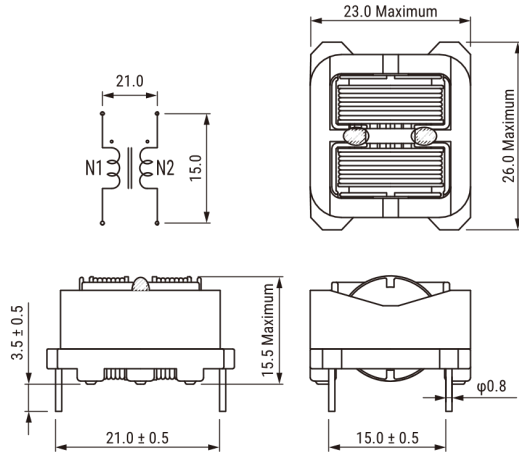


SSHB21H-20046

Aliases (UALSB220046000)

KEMET, SSHB21H, AC Line Filters, Dual Mode, 4.6 mH



Click [here](#) for the 3D model.

Dimensions

L	26mm MAX
T	23mm MAX
H	15.5mm MAX
LL	3.5mm +/-0.5mm
S	21mm +/-0.5mm
S1	15mm NOM
Wire Size	0.45mm

Packaging Specifications

Packaging	Tray
Packaging Quantity	360
Typical Component Weight	14 g

General Information

Series	SSHB21H
Style	Through-Hole
RoHS	Yes
Notes	Marking: 20 Lot No.
Miscellaneous	Temperature Rise Maximum: 65 K.
Core	Mn-Zn Ferrite

Specifications

Voltage AC	250 VAC, 320 VAC (IEC60664-1)
Inductance	4.6 mH (10 kHz)
Current	2 A
Temperature Range	-40/+130°C
DC Resistance	0.17 Ohms (Per Line)